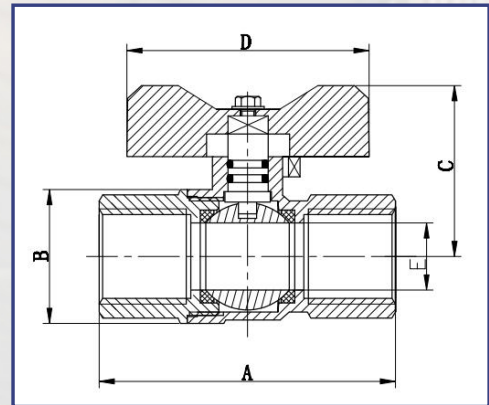


Brass Ball Valve PHD1193



Material List		
	Part Name	Material
1	Body	Brass
2	Bonnet	Brass
3	Ball	Brass/Stainless Steel
4	Seal	PTFE
5	Stem	Brass
6	O-Ring	EPDM
7	Handle	Aluminium

Specifications	
Thread	ISO 228
Working Temperature Range	-10°C to +120°C
Working Pressure	25 Bar

Size (mm)	A	B	C	D	E	Approx. KG/Pc
1/4"	45	23	34	46	9	0.1
3/8"	45.8	23	35	46	10	0.1
1/2"	59.4	29.5	38.8	54	14.8	0.17
3/4"	67	35	44	60	19	0.26
1"	77	42.7	52.5	67	24	0.42
1 - 1/4"	93	53	59	67	30.2	0.64