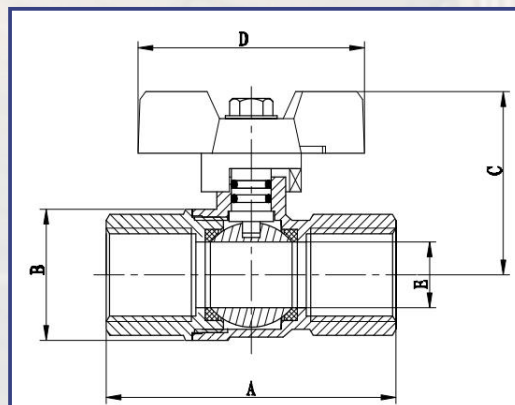


Brass Ball Valve PHD1072



<i>Material List</i>		
	Part Name	Material
1	Body	Brass
2	Bonnet	Brass
3	Ball	Brass/Stainless Steel
4	Seal	PTFE
5	Stem	Brass
6	O-Ring	EPDM
7	Handle	Aluminium

<i>Specifications</i>	
Thread	ISO 228
Working Temperature Range	-10°C to +80°C
Working Pressure	5 Bar

Size (mm)	A	B	C	D	E	Approx. KG/Pc
1/2"	59.4	29.5	43.5	60	14.8	0.19
3/4"	67	35.5	48.5	60	19	0.27
1"	77	42.7	52.5	60	24	0.42