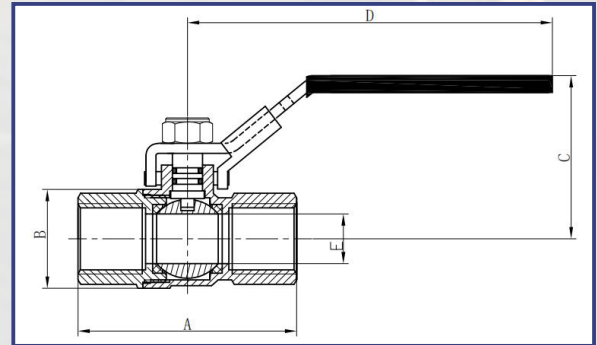


Brass Lockable Ball Valve BLBV



Material List		
	Part Name	Material
1	Body	Brass
2	Bonnet	Brass
3	Ball	Brass/Stainless Steel
4	Seal	PTFE
5	Stem	Brass
6	O-Ring	EPDM
7	Handle	Stainless Steel

Specifications	
Thread	ISO 228
Working Temperature Range	-10°C to +120°C
Working Pressure	25 Bar

Size (mm)	A	B	C	D	E	Approx. KG/Pc
1/2"	59.4	29.5	52	96	14.8	0.21
3/4"	67	35	53	96	19	0.30
1"	77	42.7	61	123	24	0.48
1 - 1/4"	93	53	81	146	30.2	0.71
1 - 1/2"	99	63	86	146	37	0.92
2"	117	79	93	170	47	1.56