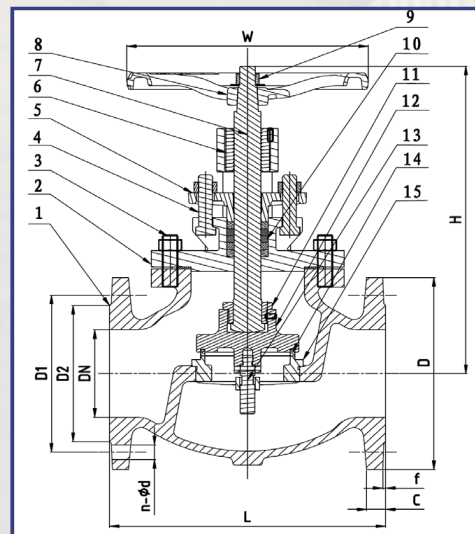


# Flanged Metal Seated Globe Valve



<b>Material List</b>		
	Part Name	Material
1	Valve Body	EN-GJS-450-10
2	Bonnet	EN-GJS-450-10
3	Stud	Carbon Steel ZP
4	Square Head bolt	Carbon Steel ZP
5	Gland Follower	EN-GJS-450-10
6	Stem Nut	Brass HPb59-1
7	Stem	Stainless Steel
8	Hand Wheel	EN-GJS-450-10
9	Nut	Carbon Steel ZP
10	Stem Packing	Graphite
11	Disc Cover	EN-GJS-450-10
12	Disc	EN-GJS-450-10
13	Guide Post	Stainless Steel
14	Disc Seal Ring	SS304

<b>Size</b>	<b>Product Code</b>
2"	SGV050
2 1/2"	SGV065
3"	SGV080
4"	SGV100
5"	SGV125
6"	SGV150
8"	SGV200
10"	SGV250
12"	SGV300

## Specification

Our British standard flanged metal seated globe valve, can be used in oil and gas, water, HVAC, marine, thermal and other systems, the working temperature is from -10 °C to +150 °C.

## Performance Rating

Maximum Working Pressure: PN16  
Working Temperature Range: -10 °C to +150 °C  
(Painted)

<b>Product Standards</b>	
Ductile Iron Flange	BS EN1092-2
Cast Iron Flange	BS EN1092-2