



**PHD
Limited**

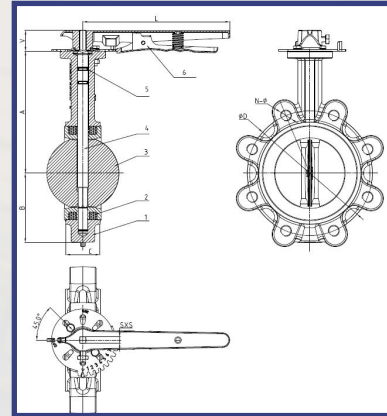
**Valve
Catalogue**

2023

Welcome to PHD Limited, specialising in all variations of valves and fittings. Please give our team a call to discuss your needs.

Contents

<i>Wafer Butterfly Valves (WRAS)</i>	3
<i>Wafer Butterfly Valves</i>	4
<i>Gear Operated Wafer Butterfly Valve</i>	5
<i>Gate Valves</i>	6
<i>Check Valves - Swing Check</i>	7
<i>Double Door Wafer Check Valve</i>	8
<i>Y Strainer</i>	9
<i>Flanged Metal Seated Globe Valve</i>	10
<i>Brass Ball Valve PHD 1031</i>	11
<i>Brass Ball Valve PHD 1063</i>	12
<i>Brass Ball Valve PHD 1071</i>	13
<i>Brass Ball Valve PHD 1072</i>	14
<i>Brass Ball Valve PHD 1193</i>	15
<i>Brass Ball Valve PHD 1529</i>	16
<i>Brass Lockable Ball Valve PHD 1064</i>	17
<i>Brass Gate Valve PHD 4030</i>	18
<i>Brass Y Strainer PHD5005</i>	19
<i>Brass Swing Check Valve LL5007</i>	20



Material List

	Part Name	Material
1	Valve Body	EN-GJS-450-10
2	Seat	EPDM
3	Disc	SS316
4	Stem	SS420
5	O-Ring	NBR
6	Lever	Carbon Steel

Size

Fully Lugged

SS Disc

50mm	BVFS050
65mm	BVFS065
80mm	BVFS080
100mm	BVFS100
125mm	BVFS125
150mm	BVFS150

Size

Torque N/M PN16

DN50	14
DN65	18
DN80	21
DN100	32
DN125	45
DN150	61
DN200	112

Specification

Quarter-turn rotational motion valve which can be used to stop, regulate and start flow.

90° rotation of the handle provides a complete closure or opening of the valve.

Performance Rating

Maximum Working Pressure: 16 bar

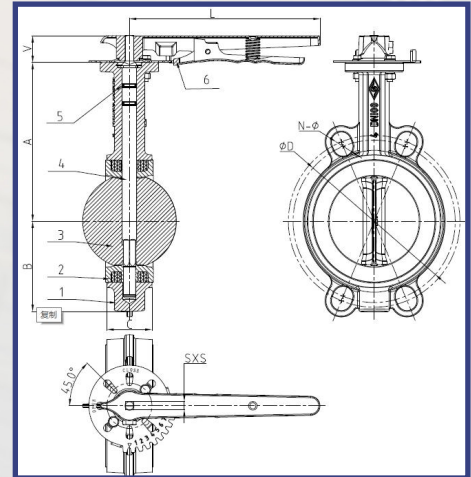
Working Temperature Range: 0°C to +85°C

(EPDM: -10°C to +120°C)

Product Standards

Design	BS EN593
Connection	EN1092-2





Material List

	Part Name	Material
1	Valve Body	EN-GJS-450-10
2	Seat	EPDM
3	Disc	SS316
4	Stem	SS420
5	O-Ring	NBR
6	Lever	Carbon Steel

Size

Semi-Lugged SS Disc

50mm	BVSS050
65mm	BVSS065
80mm	BVSS080
100mm	BVSS100
125mm	BVSS125
150mm	BVSS150
200mm	BVSS200

Size

Torque N/M PN16

DN50	14
DN65	18
DN80	21
DN100	32
DN125	45
DN150	61
DN200	112

Specification

Quarter-turn rotational motion valve which can be used to stop, regulate and start flow.
90° rotation of the handle provides a complete closure or opening of the valve.

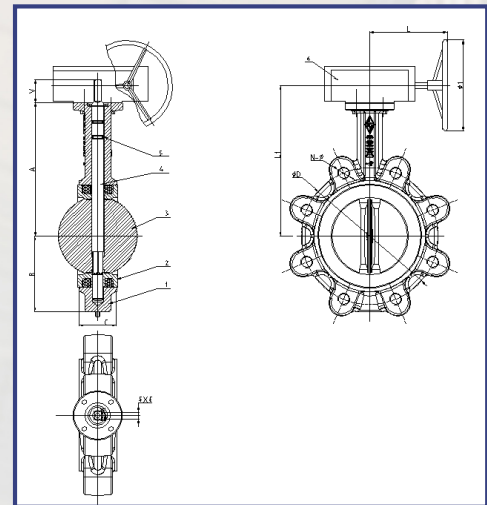
Performance Rating

Maximum Working Pressure: 16 bar
Working Temperature Range: 0°C to +85°C
(EPDM: -10°C to +120°C)

Product Standards

Design	BS EN593
Connection	EN1092-2





Material List

	Part Name	Material
1	Body	EN-GJS-450-10
2	Seat	EPDM
3	Disc	SS316
4	Stem	SS420
5	O-Ring	NBR
6	Gear	EN-GJS-450-10

Product Standards

Design	BS EN 593
Connection	EN1092-2
Flange	ISO 5211

Available Sizes

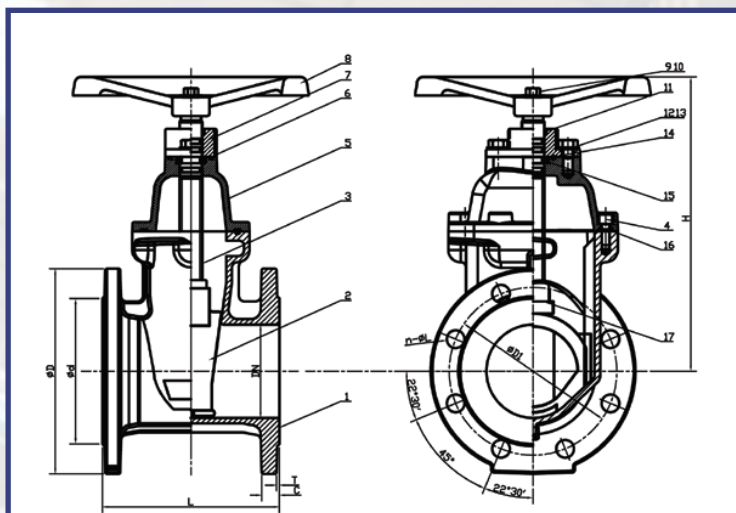
Size	Code
50mm	GOWBV050
65mm	GOWBV065
80mm	GOWBV080
100mm	GOWBV100
125mm	GOWBV125
150mm	GOWBV150
200mm	GOWBV200

Specification

The Gear Operated Lugged Wafer Butterfly Valve is simple, with compact and 90° slewing crane structure, it's mainly used for low pressure pipeline.

Performance Rating

Maximum Working Pressure: PN16, PN10
Working Temperature Range: 0°C to +85°C
(EPDM: -10°C to +120°C)



Material List

	Part Name	Material
1	Valve Body	EN-GJS-450-10
2	Resilient Wedge Disc	EN-GJS-450-10+EPDM
3	Stem	SS420
4	Bolt	Carbon Steel ZP
5	Bonnet	EN-GJS-450-10
6	O-Ring	NBR
7	Gland	EN-GJS-450-10
8	Handwheel	EN-GJS-450-10
9	Bolt	Carbon Steel ZP
10	Flat Washer	Carbon Steel ZP
11	Ring Wiper	EPDM
12	Bolt	Carbon Steel ZP
13	Flat Washer	Carbon Steel ZP
14	O-Ring	NBR
15	Thrust Washer	Brass HPB59-1
16	Bonnet Gasket	EDPM
17	Wedge Nut	Brass HPB59-1

Available Sizes

DN	Code
50	GV050
65	GV065
80	GV080
100	GV100
125	GV125
150	GV150
200	GV200

Specification

Resilient-seated gate valve with bolted cover connection made of premium materials and with special coating designed as both clockwise (default) and anti-clockwise directions (optional).

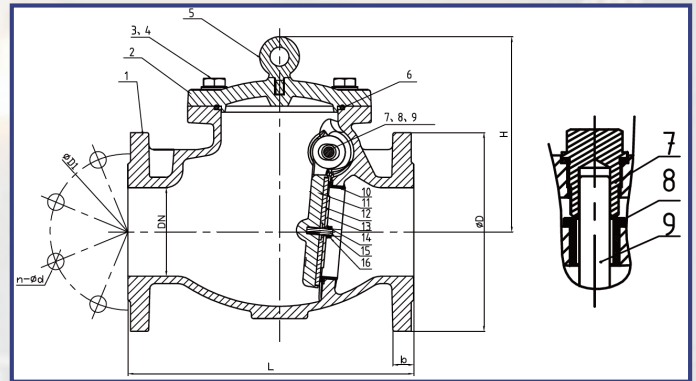
Performance Rating

Maximum Working Pressure: 16 bar
Working Temperature Range: 0°C to +85°C (Epoxy)
-10°C to +120°C (Painted)

Product Standards

Design	BS5163-1, BS5163-2, EN558-1 series 3
Connection	EN1092-2
Face to Face	EN558
Testing	EN12266-1





Material List		
	Part Name	Material
1	Body	EN-GJS-450-10
2	Bonnet	EN-GJS-450-10
3	Bolts	Carbon Steel ZP
4	Washer	Carbon Steel ZP
5	Eye Bolt	Carbon Steel ZP
6	O Ring	NBR
7	Plug	Stainless 304
8	Hinge Bushing	CW617N Brass
9	Hinge Pin	Stainless 420
10	Seat	C83600 Bronze
11	Disc	EN-GJS-450-10
12	Disc Seating Ring	EPDM
13	Retainer Washer	Stainless 420 (DN50-DN100) EN-GJS-450-10 (DN125-DN300)
14	Washer	Stainless 304
15	Stud	Stainless 304
16	Nut	Stainless 304

Available Sizes	
DN	Code
50	SCV050
65	SCV065
80	SCV080
100	SCV100
125	SCV125
150	SCV150
200	SCV200

Specification

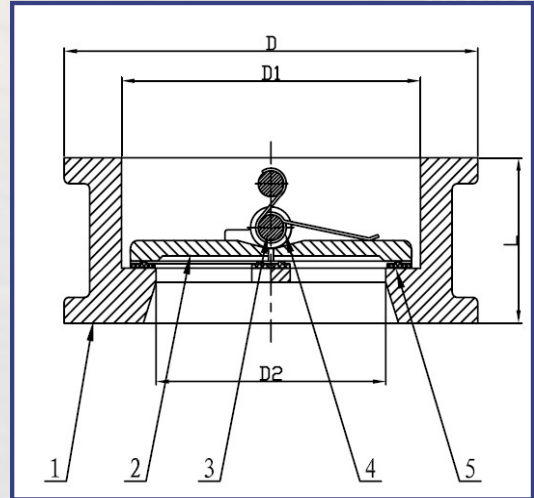
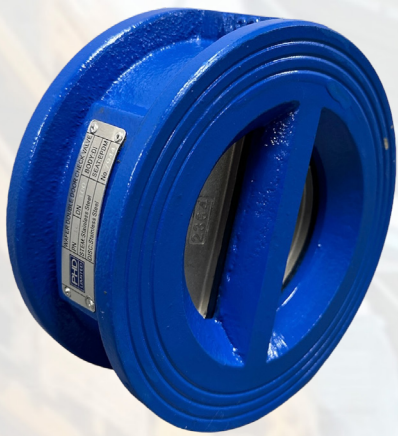
Our swing check valve is ideal for all basic commercial/ industrial general backflow prevention applications. Durable ductile iron construction resists pipeline stresses and distortion.

Performance Rating

Maximum Working Pressure: 16 bar
Working Temperature Range: 0°C to +85°C
(Epoxy, WRAS) -10°C to +120°C (Painted)

Product Standards	
Design	EN16767
Connection	BS EN1092-2





Available Sizes

DN	Code
50	DDW050
65	DDW065
80	DDW080
100	DDW100
125	DDW125
150	DDW150
200	DDW200

Material List

	Part Name	Material
1	Valve Body	EN-GJS-450-10
2	Disc	EN-GJS-450-10
3	Stem	SS420
4	Spring	SS304
5	Rubber Seat	EPDM

Product Standards

Connection	BS EN 1092 PN16
------------	-----------------

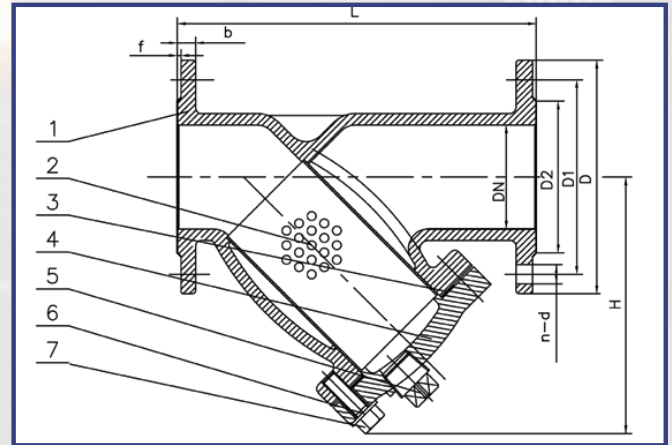
Specification

The butterfly check valve is a one-way check valve. When the medium is flowing forward, the valve flap is opened under the pressure of the fluid; when the medium flows in the opposite direction, the valve flap is closed under the spring force and the reverse fluid pressure. Cut the channel to prevent back-flow.

Performance Rating

Working Pressure: PN10, PN16, PN25

Working Temperature Range: 0°C to +85°C (Epoxy),
-10°C to +120°C (Painted)



Available Sizes	
DN	Code
50	YS050
65	YS065
80	YS080
100	YS100
125	YS125
150	YS150
200	YS200

Material List		
	Part Name	Material
1	Valve Body	EN-GJS-450-10
2	Screen	SS304 (Perforated)
3	Gasket	EPDM
4	Bonnet	EN-GJS-450-10
5	Plug	Mall Iron Galv
6	Bolt	Carbon Steel ZP
7	Flat Washer	Carbon Steel ZP

Product Standards	
Design	EN558-1
Connection	EN1092-2

Specification

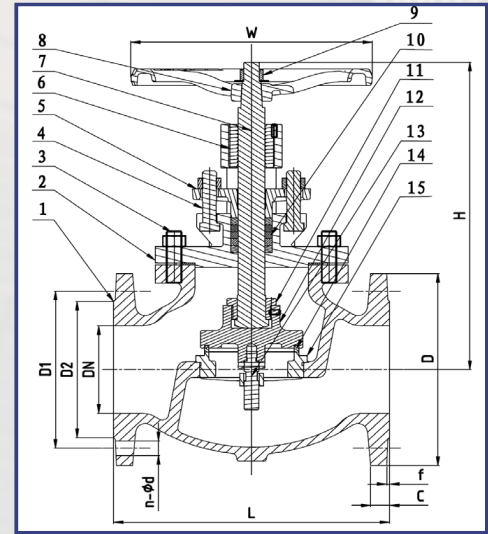
The strainer mainly removes impurities in the medium through the filter to prevent particulate impurities from entering the passage and causing wall plugs to protect the fittings on the equipment pipeline from wear and blockage.

Performance Rating

Maximum Working Pressure: 16 bar
Working Temperature Range: 0°C to +85°C (Epoxy, WRAS), -10°C to +120°C (Painted)



Flanged Metal Seated Globe Valve



Material List		
	Part Name	Material
1	Valve body	EN-GJS-450-10
2	Bonnet	EN-GJS-450-10
3	Stud	Carbon Steel ZP
4	Square head bolt	Carbon Steel ZP
5	Gland follower	EN-GJS-450-10
6	Stem nut	Brass HPb59-1
7	Stem	Stainless Steel
8	Hand wheel	EN-GJS-450-10
9	Nut	Carbon Steel ZP
10	Stem packing	Graphite
11	Disc cover	EN-GJS-450-10
12	Disc	EN-GJS-450-10
13	Guide post	Stainless Steel
14	Disc seal ring	SS304

Size	Product Code
2"	SGV050
2 1/2"	SGV065
3"	SGV080
4"	SGV100
5"	SGV125
6"	SGV150
8"	SGV200
10"	SGV250
12"	SGV300

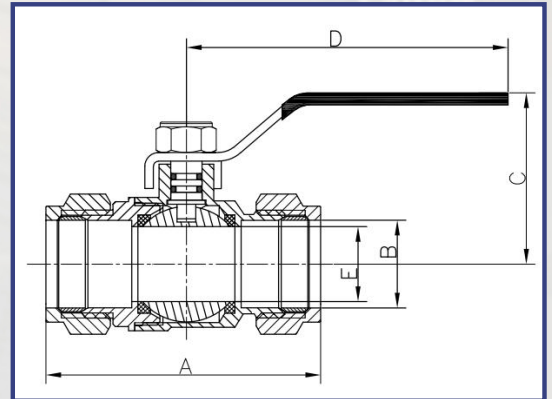
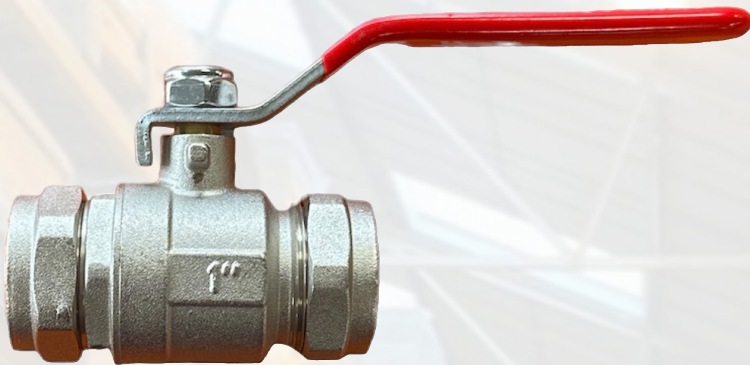
Specification

The British standard flanged metal seated globe valve is mainly used in oil and gas, water, HVAC, marine, thermal and other systems, working temperature is from -10 °C to 150 °C.

Performance Rating

Maximum Working Pressure: PN10/16
Working Temperature Range: -10 °C to +150 °C
(Painted)

Product Standards	
Ductile Iron Flange	BS EN1092-2
Cast Iron Flange	BS EN1092-2

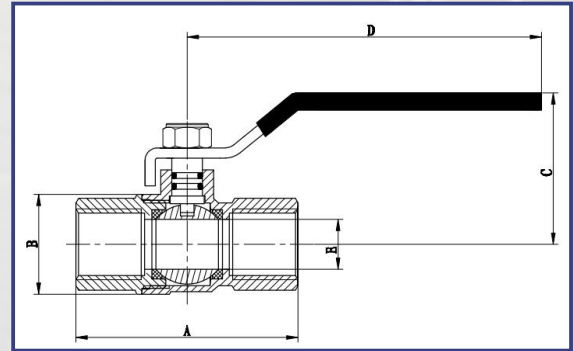


<i>Material List</i>		
	Part Name	Material
1	Body	Brass
2	Bonnet	Brass
3	Ball	Brass/Stainless Steel
4	Seal	PTFE
5	Stem	Brass
6	O-Ring	EPDM
7	Handle	Steel

<i>Specifications</i>	
Thread	ISO 228
Working Temperature Range	-10°C to 120°C
Working Pressure	25 Bar

Size (mm)	A	B	C	D	E	Approx. KG/Pc
15mm	64	15	51	95	13.5	0.21
22mm	68	22	55	95	17	0.29
28mm	83	28	59	126	24	0.5

Brass Ball Valve PHD1063

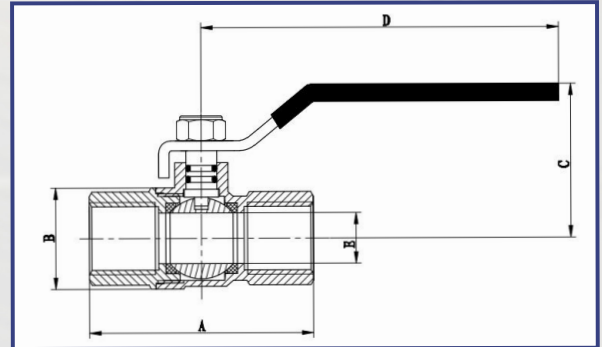


Material List		
	Part Name	Material
1	Body	Brass
2	Bonnet	Brass
3	Ball	Brass/Stainless Steel
4	Seal	PTFE
5	Stem	Brass
6	O-Ring	EPDM
7	Handle	Steel

Specifications	
Thread	ISO 228
Working Temperature Range	-10°C to 120°C
Working Pressure	25 Bar

Size (mm)	A	B	C	D	E	Approx. KG/Pc
1/4"	45	23	39.2	87	9	0.13
3/8"	45.8	23	39.8	87	10	0.13
1/2"	59.4	29.5	54.2	95	14.8	0.21
3/4"	67	35.5	57.6	95	19	0.30
1"	77	42.7	60.6	126	24	0.48
1 - 1/4"	93	53	75.8	140	30.2	0.72
1 - 1/2"	99	63	81.3	140	37	0.93
2"	117	79	88.5	165	47	1.48
2-1/2"	143	102.5	121.5	224	62	3.00
3"	165	120.5	129.5	224	74	4.34
4"	190	144.5	141	283.5	90	6.43

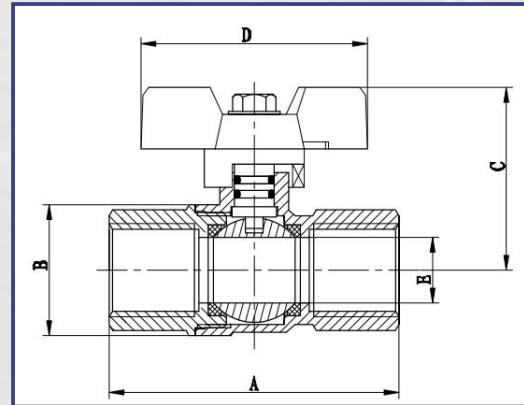
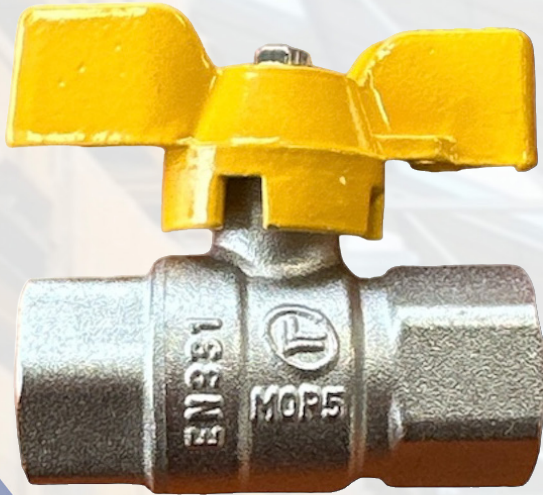
Brass Ball Valve PHD1071



Material List		
	Part Name	Material
1	Body	Brass
2	Bonnet	Brass
3	Ball	Brass/Stainless Steel
4	Seal	PTFE
5	Stem	Brass
6	O-Ring	EPDM
7	Handle	Steel

Specifications	
Thread	ISO 228
Working Temperature Range	-10°C to 80°C
Working Pressure	25 Bar

Size (mm)	A	B	C	D	E	Approx. KG/Pc
1/4"	45	23	39.2	87	9	0.13
3/8"	45.8	23	39.8	87	10	0.13
1/2"	59.4	29.5	54.2	95	14.8	0.21
3/4"	67	35	57.6	95	19	0.30
1"	77	42.7	60.6	126	24	0.48
1 - 1/4"	93	53	75.8	140	30.2	0.72
1 - 1/2"	99	63	81.3	140	37	0.93
2"	117	79	88.5	165	47	1.48
2-1/2"	143	102.5	121.5	224	62	3.00
3"	165	120.5	129.5	224	74	4.34
4"	190	144.5	141	283.5	90	6.43

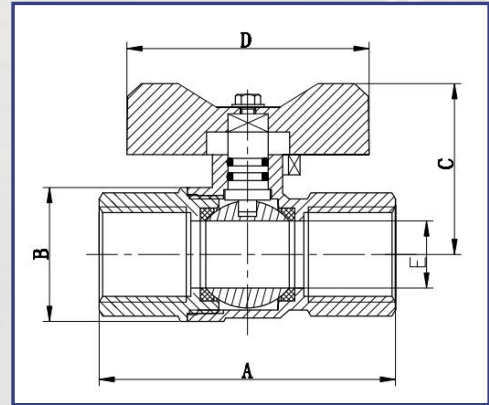


Material List		
	Part Name	Material
1	Body	Brass
2	Bonnet	Brass
3	Ball	Brass/Stainless Steel
4	Seal	PTFE
5	Stem	Brass
6	O-Ring	EPDM
7	Handle	Aluminium

Specifications	
Thread	ISO 228
Working Temperature Range	-10°C to 80°C
Working Pressure	5 Bar

Size (mm)	A	B	C	D	E	Approx. KG/Pc
1/2"	59.4	29.5	43.5	60	14.8	0.19
3/4"	67	35.5	48.5	60	19	0.27
1"	77	42.7	52.5	60	24	0.42

Brass Ball Valve PHD1193

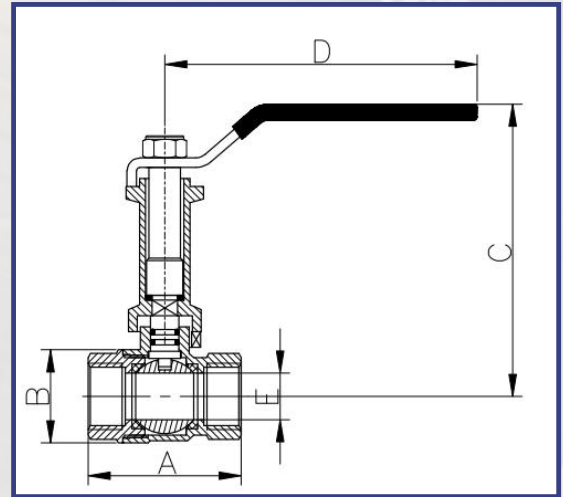


Material List		
	Part Name	Material
1	Body	Brass
2	Bonnet	Brass
3	Ball	Brass/Stainless Steel
4	Seal	PTFE
5	Stem	Brass
6	O-Ring	EPDM
7	Handle	Aluminium

Specifications	
Thread	ISO 228
Working Temperature Range	-10°C to 120°C
Working Pressure	25 Bar

Size (mm)	A	B	C	D	E	Approx. KG/Pc
1/4"	45	23	34	46	9	0.1
3/8"	45.8	23	35	46	10	0.1
1/2"	59.4	29.5	38.8	54	14.8	0.17
3/4"	67	35	44	60	19	0.26
1"	77	42.7	52.5	67	24	0.42
1 - 1/4"	93	53	59	67	30.2	0.64

Brass Ball Valve PHD1529

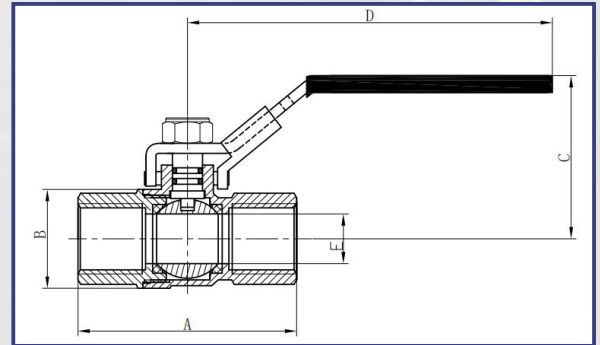


Material List		
	Part Name	Material
1	Body	Brass
2	Bonnet	Brass
3	Ball	Brass/Stainless Steel
4	Seal	PTFE
5	Stem	Brass
6	O-Ring	EPDM
7	Handle	Aluminium

Specifications	
Thread	ISO 228
Working Temperature Range	-10°C to 120°C
Working Pressure	25 Bar

Size (mm)	A	B	C	D	E	Approx. KG/Pc
1/2"	48.4	29.5	101	95	14.8	0.24
3/4"	56	35.5	104.6	95	19	0.32
1"	65	42.7	107.6	126	24	0.5

Brass Lockable Ball Valve PHD1064

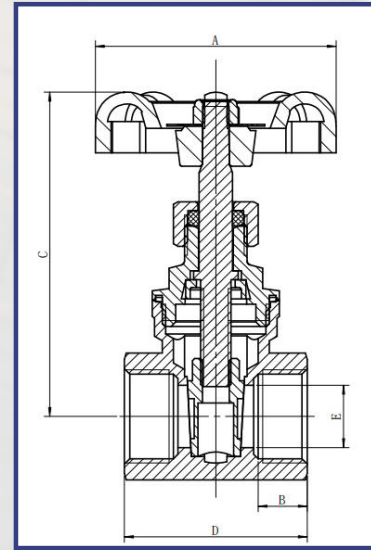


Material List		
	Part Name	Material
1	Body	Brass
2	Bonnet	Brass
3	Ball	Brass/Stainless Steel
4	Seal	PTFE
5	Stem	Brass
6	O-Ring	EPDM
7	Handle	Stainless Steel

Specifications	
Thread	ISO 228
Working Temperature Range	-10°C to 120°C
Working Pressure	25 Bar

Size (mm)	A	B	C	D	E	Approx. KG/Pc
1/4"	45	23	45	96	9	0.14
3/8"	45.8	23	45	96	10	0.14
1/2"	59.4	29.5	52	96	14.8	0.21
3/4"	67	35	53	96	19	0.30
1"	77	42.7	61	123	24	0.48
1 - 1/4"	93	53	81	146	30.2	0.71
1 - 1/2"	99	63	86	146	37	0.92
2"	117	79	93	170	47	1.56
2-1/2"	143	102.5	115.5	210	62	2.91
3"	165	120.5	124	210	74	4.19
4"	190	144.5	135.5	230	90	6.21

Brass Gate Valve PHD4030



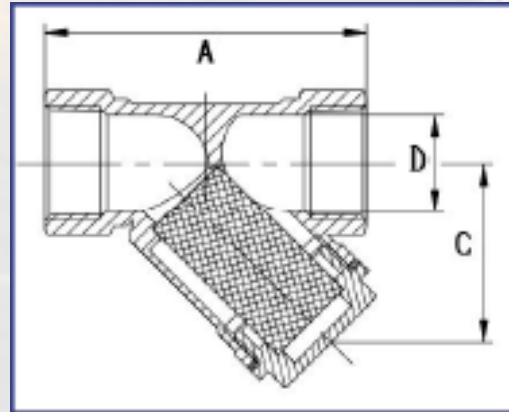
Material List

	Part Name	Material
1	Body	Brass
2	Gate	Brass
3	Filler	PTFE
4	Bonnet	Brass
5	Lock Cap	Brass
6	Stem	Brass
7	Handwheel	Cast-Iron
8	Nut	Stainless Steel

Specifications

Thread	ISO 228
Working Temperature Range	-10°C to 120°C
Working Pressure	25 Bar

Size (mm)	A	B	C	D	E	Approx. KG/Pc
1/2"	55	12	73	41	14	0.26
3/4"	55	13	75	43	15	0.29
1"	60	14	83	48	19	0.42
1-1/4"	70	15	100	53	25	0.62
1-1/2"	70	15	110	54	31	0.80
2"	80	16	130	61	40	1.15
2-1/2"	100	22	165	78	54	2.35
3"	110	23.5	180	83	60	2.93
4"	140	27	245	100	90	5.05



Material List

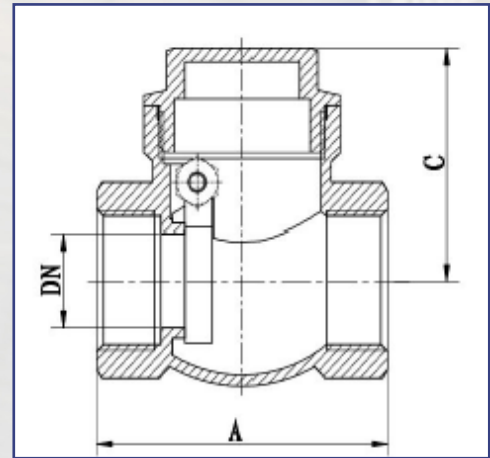
	Part Name	Material
1	Body	Brass
2	Bonnet	Brass
3	Filter	Stainless Steel
4	Gasket	PTFE

Specifications

Thread	ISO 228
Working Temperature Range	-10°C to 120°C
Working Pressure	16 Bar

Size (mm)	A	B	C	D	Mesh	Approx. KG/Pc
1/2"	56.5	32.5	32.5	18	40	0.14
3/4"	69	36	36	22.5	40	0.2
1"	80	42	42	28.5	40	0.33
1-1/4"	96	52.5	52.5	36	40	0.59
1-1/2"	105	61.5	61.5	42.5	40	0.75
2"	125	75	75	54	20	1.29
2-1/2"	134.5	85	85	65	20	1.90
3"	156	101	101	76	10	2.68
4"	181.5	123	123	97	10	4.52

Brass Swing Check Valve LL5007



Material List

	Part Name	Material
1	End Cap	Plastic
2	Screw	Brass
3	Bonnet	Brass
4	Body	Brass

Specifications

Thread	ISO 228
Working Temperature Range	-10°C to 120°C
Working Pressure	16 Bar

Size (mm)	A	C	Approx. KG/Pc
1/2"	47.5	34.5	0.16
3/4"	56	39	0.22
1"	63	46.5	0.33
1-1/4"	71	51	0.52
1-1/2"	80.5	59.5	0.73
2"	93	67	1.09
2-1/2"	105	77	1.84
3"	123	81	2.54
4"	162	101	4.56